



Vent-Axia®

Improving Indoor Air Quality since 1936

Positive Input Ventilation

Edition 1.3

www.vent-axia.com/piv



A close-up photograph of two men in a professional setting. The man on the left, with short blonde hair and wearing a blue and white checkered shirt, is leaning forward and looking at a notepad. The man on the right, with dark skin and a friendly smile, is wearing a grey sweater over a white collared shirt and a patterned jacket with a white fur lining. He is holding a blue pen and appears to be writing on the notepad. The background is a plain, light-colored wall.

We're here to help...

Vent-Axia[®]

Positive Input Ventilation

Solutions designed especially
for Social Housing



Up to
5
yr
WARRANTY



Mould is a simple plant; if you want to kill it, stop watering it. If mould has already formed, painting over it will not solve the problem. Ventilation is mould's biggest enemy as it removes the root cause: the moisture in the air.

Where mould is present in bedrooms or other living areas, PoziDry Pro[™] or PoziDry[™] Compact Pro will provide the answer.

Discrete

Tamper
Proof

Low
Maintenance

Ultra-
Quiet

Unhealthy Homes

Pollutants such as moisture in the air, chemicals from household cleaners, mould spores and dust mite faeces can all lead to conditions not fit for human habitation.

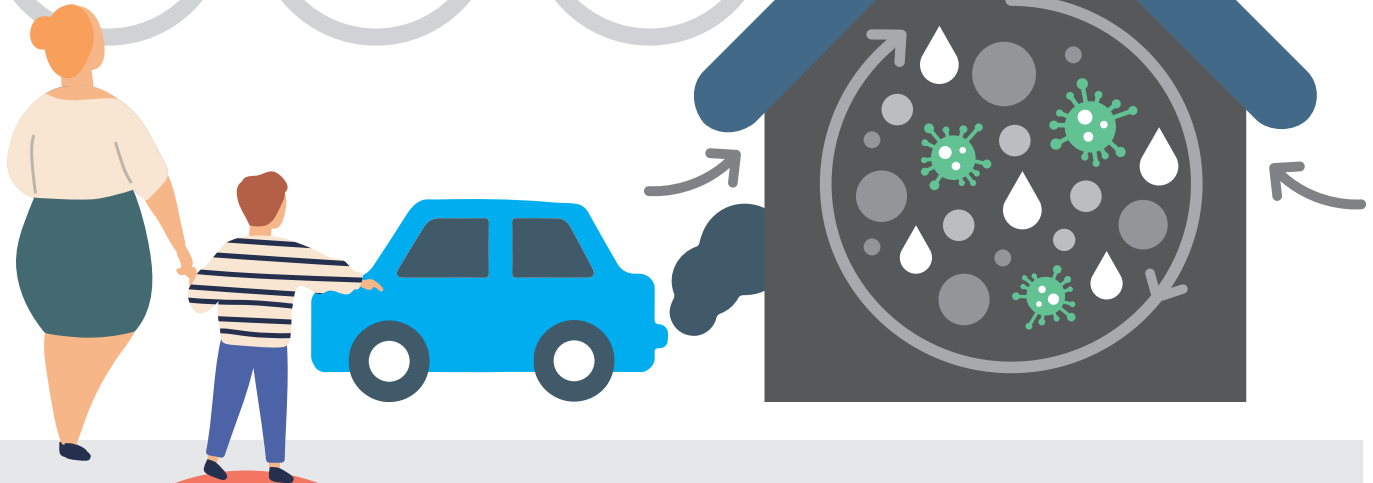
Why are homes polluted?

Under the Decent Homes Standard we have fitted double glazed windows, cavity wall and loft insulation and fitted insulating doors to many homes around the UK. However, these energy efficiency measures have sealed our homes and reduced the amount of air that can escape; causing moisture, mould and other indoor air pollution to increase.

Indoor air can be
50x
more polluted than
outdoor air*

17 PINTS
of water can be
produced indoors, per
day, by a family of 4

90%
of our time is
spent indoors*



MOULD

will grow on the internal
surfaces of buildings when Relative
Humidity at the surface exceeds
80% for 6 > hours per day.

New Horizons Project DO3 -
Technical Report ODPM

Duty of Care

The introduction of the Homes (Fitness for Human Habitation) Act 2018 means that landlords now have an increasing responsibility for the conditions in which their residents live. Occurrences of damp and mould are specifically called up in the bill as being conditions unsuitable for human habitation, with the onus on the landlord to rectify the issue.

* Source - www.myhealthmyhome.com

Healthy Homes

PIV units can provide a whole house solution to indoor air pollutants and make a home habitable again.



How does Positive Input Ventilation work?

Positive Input Ventilation (PIV) is an energy efficient method of pushing out and replacing stale, unhealthy air with clean drier air. This is achieved by gently introducing filtered air into the home and increasing the circulation of air around the property.



A solution for all types of properties

PIV units are usually situated in a loft or on a wall. Our PoziDry™ range offers both solutions whether you are dealing with a house or a flat. To keep things simple, we have used the same commissioning and controls platform, so whether you are solving a problem for a house or flat, commissioning is easy.



Condensation and mould are controlled as moisture laden air is replaced by drier air. This protects the property from harmful condensation and mould.



Inbound air is filtered, improving the indoor air quality. The optional F7 filter will remove almost all pollen from the air and help reduce diesel particulates.



Volatile organic compounds (VOCs), dust mites and other indoor air pollutants are reduced, giving residents a healthier indoor environment.



Designed for Resident Satisfaction

PoziDry Pro™ gives installers precise control over airflow.



You want a whole house ventilation solution to combat condensation and mould that leaves residents happy. Here are some of the common complaints from residents after a PIV is installed:



Cold
Draughts



Noise
Levels



Running
Costs

We understand that **COMPLAINTS** consume time and energy better spent on other things that make a difference.

The PoziDry Pro™ can help solve condensation and mould issues, without the complaints.

Cold Draughts

Every resident and home is different. Therefore fine control of the air velocity and heater temperature are essential to eliminate cold draughts. The Smart Sense™ Technology allows for 1l/s or 1°C adjustments to ensure resident thermal comfort.

Noise Levels

Introducing any mechanical system into a home will always create a noise; however, some units are louder than others. Anti-vibration legs and mounting options along with smart flow diffuser technology allow for an ultra-quiet installation.

Running Costs

Residents at risk of fuel poverty need to know that the positive input ventilation system isn't going to cause problems with their energy bills. With an ultra-low power consumption motor, the PoziDry Pro™ can service a two bedroom house for less than £12 a year.

All this means..
FEWER
complaints &
greater resident
acceptability



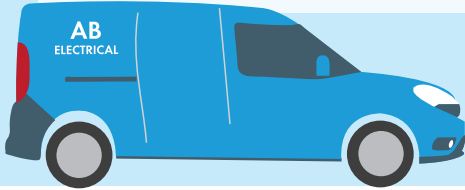
◀ The PoziDry Pro's™ unique leg design allows for anti-vibration mounting.

The PoziDry™ Compact Pro's ▶ innovative internal foam casing allows for anti-vibration mounting.



Ease of Install

The PoziDry Pro™ range provides solutions suitable for dwellings with or without loft space.



It is not always possible to find room for a new ventilation system in an already busy home. This can lead to installations being put into awkward spots, where the residents will be most affected by the aesthetics or noise from a product. That is why our PIV systems are flexible and small to ensure the best installation every time.

✓ Loft Mounted

The easy grip handle on the PoziDry Pro™ allows for safe installation, allowing three points of contact on the ladder.

The unit can be hung or mounted on the fully adjustable, anti-vibration feet to find the perfect loft location.



✓ Wall Mounted

The PoziDry™ Compact Pro is the smallest on the market, meaning you can always find space for it even in the smallest of apartments.

The foam back plate is less than 100g meaning there is no longer a need to lift a heavy metal box above head height to mark drilling holes.

With two inlet and two outlet positions, the PoziDry™ Compact Pro can be installed in 16 orientations, giving you the ultimate installation flexibility.



W393mm x H206mm
x D206mm

SMALLEST
PIV unit on the
market

16
possible
orientations

100g
lightweight
backplate





Landlord Support

Resolve condensation and mould issues for good and future proof your housing stock.

You need to know that your property is being looked after. Ventilation can protect your assets from condensation and mould, but only if it is operating as intended and installed properly.

The challenges we know you face

Positive Input
Ventilation is a very
successful solution, but these
common issues can
leave landlords

FRUSTRATED



Cost to Residents

Concerns over energy bills can lead to complaints. With little evidence to back up the manufacturers claims, how can landlords re-assure their residents?



Tampering

If a resident switches the product off or turns it down, the condensation may return. This could leave landlords frustrated and without a plan of action. How can landlords ensure their solutions are being followed through?



Correct Installation

A good ventilation system is only as good as its installation. How can landlords be sure that their system is installed correctly and tackling the problem?

Unrivalled Support Beyond Purchase

The PoziDry™ family
comes with in-built security
features and can be
installed by our approved
installers to guarantee

**PEACE OF
MIND**



Datalogger

Identifies whether the system is being used by accessing the 'days run' logger. It also accurately measures running costs using the SmartSense™ controls platform.



Tamper Proof

The PoziDry™ range allows you to set a customised three digit PIN at installation to prevent changes to the settings and confusion caused if mould returns. Without this feature residents can interfere with the unit which will reduce airflow, allowing mould to return.

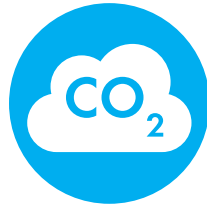


Install support

Issues sometimes arise from unexpected places, but our skilled Technical Support team can guide you through installation dilemmas big and small.

Helping the Environment

By reducing your carbon footprint.



Low Power Consumption

Did you know that 1W can make a huge difference over the lifetime of a product? 1W running for 35 years means approximately 85kg CO₂ emitted into the atmosphere. That is why we strive to use the lowest possible power consumption motor technology to play our part.



Made in Britain

We design, develop and manufacture our fans in the UK. We have reduced transport related carbon emissions and invested in UK skilled jobs, increasing our local workforce and providing a boost to the local job market.



Longevity of Spares

Vent-Axia has long been recognised as setting a gold standard for the availability of spares and support for obsolete product ranges. For example the Standard Range was launched over 60 years ago and we still supply components and spares.

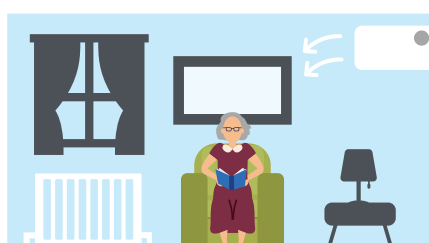
Replaceable Cartridge



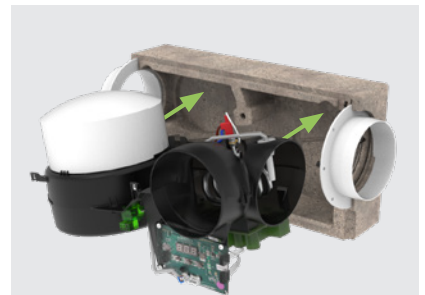
With a 7 year guarantee, repairs and replacement on the wall mounted PIV units will be one less headache. However, landlords can rest assured that with the replaceable cartridge system, and recyclable ABS construction, this is an environmentally friendly choice.



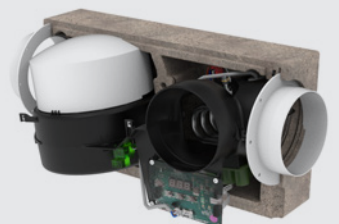
Only replacing the inner cartridge means less plastic waste and less fuel for shipping, ultimately lowering the carbon footprint of the installation.



This also means is that the duct work, wiring and the mounting are not disturbed during re-installation, meaning that the decorative condition of the home is left untouched.



The PoziDry™ Compact Pro has an easy to replace cartridge, reducing waste and disruption of re-install.



All our PIV fans are made with recyclable ABS plastic.



PoziDry Pro™

Ensure resident satisfaction and reduce the need to re-visit the property.



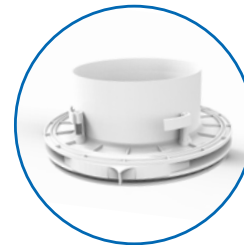
Easy Filter Replacement

The product's unique filter choices make improving indoor air quality easy. Choose from G4 or F7 filter options providing filtration down to PM2.5, which includes diesel particulates. Push fit connections make filter attachment easy during servicing.



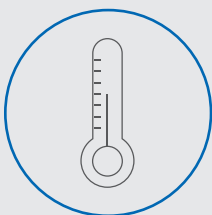
Anti-Vibration Legs

To make PoziDry Pro™ whisper quiet throughout its operational life, a UK made ball bearing motor with dual anti-vibration mounts is fitted. The purpose designed acoustic legs dissipate any vibration, guaranteeing silent operation.



Discreet Diffuser

The discreet circular diffuser is easily fitted and maintained. Its low profile and aesthetically pleasing design has been developed with resident acceptability in mind.



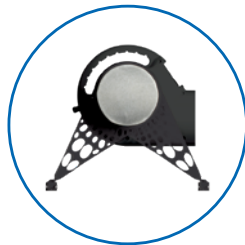
Ultimate Thermal Comfort

The PoziDry Pro™ allows full adjustment of both the air velocity and temperature in 1l/s or 1°C increments. It also has adjustable boost temperatures to reduce the risk of filling the home with cooler air, especially when the resident has the thermostat up high. Also, for those who like it warm, the PoziDry Pro™ has an adjustable summertime cut-off temperature to allow the unit to continue running even at high temperatures.



Unit Size

With its body measuring only 330 x 364mm PoziDry Pro™ will easily fit through standard loft hatches. The compact size makes it easy to store and transport making it versatile to fit.



Easy Handling

The easy grip handle moulded into the main body makes transporting the PoziDry Pro™ into the loft simple. The ability to carry the unit with one hand allows you to retain three points of contact on the ladder and stay safe.



Energy Efficient Heater

The heater model helps increase the temperature of the air entering the habitable areas.



Up to 5 Year Warranty

With a high performance, long life motor and precision engineered components, the PoziDry Pro™ delivers maximum air performance with minimum wear and tear.



PoziDry™ Compact Pro

The smallest PIV unit on the market



Replaceable Cartridge

With all the critical components located on one central and easy to replace cartridge, repairs and replacement is easy. Simply unplug and remove the central cartridge, leaving the ductwork and back plate intact.



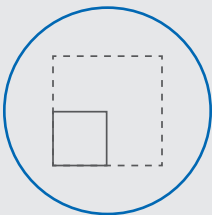
Foam Construction

With an insulated foam body construction, the PoziDry™ Compact Pro is condensation resistant and dampens noisy vibrations providing an ultra-quiet operation. Typical metal PIV units do not meet this standard.



Easily Replaceable Filters

The product's unique filter choices make improving indoor air quality easy. Choose from G4 or F7 filter options providing filtration down to PM2.5 which includes diesel particulates. Push fit connections make filter attachment easy during servicing.



Small and Compact

We understand that finding a place to install a PIV system in a small property without a loft space can be challenging. The PoziDry™ Compact Pro is a small, shoebox sized unit that can be installed almost anywhere, even boxed in entirely along with the ductwork, to provide a discreet and unobtrusive solution.





Flexible Configurations

The unit has two options for inlet and outlet positions. This combined with the ability to be installed horizontally, vertically or even upside down gives the landlord complete freedom over the installation location.



Discreet ABS Cover

The discreet cover combines simple geometry with a subtle matte finish to blend in with the room and minimise the impact on the resident's home.



In-built Adjustable Grille

The unit comes with two blanking plates and one grille with adjustable airflow direction to always point the air in the best direction so that residents don't experience cold draughts.



7 Year Warranty

With a high performance, long life, 12 pole motor and precision engineered components, the PoziDry™ Compact Pro delivers maximum air performance with minimum wear and tear.





A Wide Range of Solutions

More than just an innovative ventilation manufacturer



Advice

Our experienced consultants can provide impartial expert advice on condensation and mould complaints and issues landlords may be experiencing at the property, which will help determine if ventilation could be a solution to the problem.



Products

Designed with residents in mind, our social housing product solutions are powerful enough to remove moist air to help eradicate condensation and mould and at the same time quiet enough not to disturb while remaining energy efficient.



Install Support

Getting it right the first time is not always easy and unforeseen challenges may surface, yet our proficient Technical Support team is capable of assisting in navigating both major and minor installation predicaments offering peace of mind, ensuring a happy resident and protecting the property over the long term.



Support

Our expert ventilation consultants are always on-hand to assist with queries, offer their expert opinions, or even assist installers on trials of new ventilation products. Backed up by a knowledgeable and friendly technical support department, landlords can rest assured that Vent-Axia will always offer first class support.

Vent-Axia



Training

The ventilation industry is constantly changing and evolving, and so are our customer's challenges. That is why we are on hand to offer practical, engaging and informative training. From CPD courses on mould and condensation to hands-on toolbox talks on installation, we can help landlords stay ahead of the knowledge curve.



Downloads

Vent-Axia has simplified the way to access information. The Knowledge Hub provides literature and comprehensive product information all in one place, at the touch of a button. Watch our video now to find out more.

www.vent-axia.com/knowledge-hub



PoziDry Pro™ Spec

Models

PoziDry Pro™ with G4 filter, 2m of flexi duct and a Ø200mm Smart Airflow™ discreet diffuser †

Positive input ventilation for whole house mould and condensation control. Smart Sense™ control allows quick and accurate set up. Fully adjustable between 19l/s - 49l/s. Automatic summer shut off stops warm air coming back into the property.

Stock Ref
476310

PoziDry Pro™ with Heater, G4 filter, 2m of flexi duct and a Ø200mm Smart Airflow™ discreet diffuser †

Positive input ventilation with heater for whole house mould and condensation control. Smart Sense™ control allows quick and accurate set up. Fully adjustable between 19l/s - 49l/s. Automatic summer shut off stops warm air coming back into the property.

Stock Ref
476311

PoziDry Pro™ FD with Heater, G4 filter, 2m of flexi duct and Ø200mm Fire rated diffuser (Multi-storey Compliant) † ††

Positive input ventilation with heater and fire damper for whole house mould and condensation control. Smart Sense™ control allows quick and accurate set up. Fully adjustable between 19l/s - 49l/s. Automatic summer shut off stops warm air coming back into the property. Fire Damper model supplied with relay to fire alarm cut off and intumescent fire protective ducting.

Stock Ref
476312

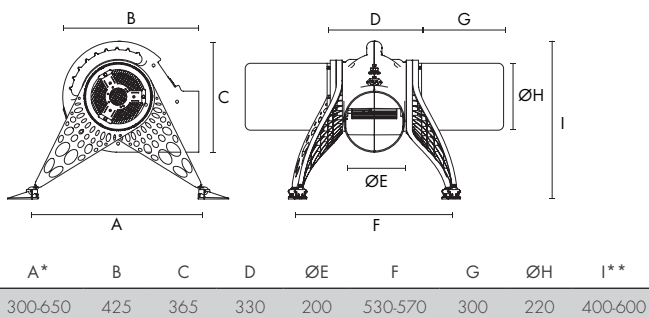
Accessories

This kit allows an extra circular diffuser to be installed near the PoziDry unit.

- | | |
|----------------------------|----------------------------|
| • 1 x Ø200mm 6m Duct | Stock Ref
449071 |
| • 2 x Worm Clips | 436592 |
| • 1 x Ø200mm equal Y Piece | 561707 |
| • 1 x Diffuser | 452085 |
| | 478228 |

Other accessories include: Interconnecting cable for boost switch **411150**, G4 filters **477957** and F7 filters **477629**.

Dimensions (mm)



*Variable to allow for adapting product height. ** Variable to allow for adapting product height

Performance Guide

Bedroom	Extract Performance (l/s) - FID		Power (W)	
	Trickle	Recovery	Trickle	Recovery
1	19	29	3.1	5.1
2	25	37	4.3	7.6
3	31	46	6.0	12.0
4	37	49	8.0	13.1
Adjustable	19-48	20-49	-	-

PoziDry™ Compact Pro Spec

Models

PoziDry™ Compact Pro with integral heater

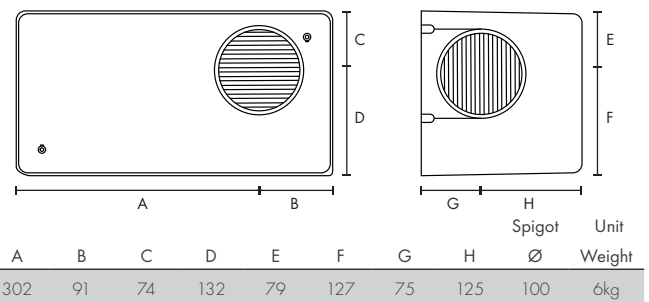
Positive input ventilation with heater for whole house mould and condensation control. Smart Sense™ control allows quick and accurate set up. Variable speed control allows the unit to be effective in apartments with up to four bedrooms. Foam construction for minimum noise levels and removable cartridge for quick and environmentally friendly repairs and replacement.

Stock Ref
479188

Accessories

Model	Stock Ref
ABS Spare Cover	479843
Spare Boxing Cover	479849
Spare Boxing Cover with Grille right	479850
Spare Boxing Cover with Grille left	479851
Boxing 200mmx200mm 2m	479852
Boxing End Stop	479853
Boxing End Stop with Grille	479854
Boxing Inner Bend	479855
Boxing Outer Bend	479856
Silencer kit	479857
Acoustic flexi duct	443273
Spare Scroll cartridge	479859
Spare PM10 filter	479860
Spare PM2.5 filter	479861

Dimensions (mm)



Performance Guide

Speed	FID (l/s)	Power (W)	No. Bedrooms	Breakout dB(A) @ 3m
1	13	4.0	1	11.6
2	17	8.3	2	18.9
3	21	12.5	3	25.4
4	25	18.3	4	29.7

† Comes with 5 year warranty †† Please note: PoziDry Pro™ FD model does not include a Smart Air™ technology diffuser



VENT-AXIA CONTACT NUMBERS

Free technical, installation and sales advice is available

Sales Tel: 0344 856 0590
Sales Fax: 01293 565169
Tech Support Tel: 0344 856 0594
Tech Support Fax: 01293 532814
Web: www.vent-axia.com
Email: sales@vent-axia.com

Supply & Service

All sales made by Vent-Axia Limited are made only upon the terms of the Company's Conditions of Sale, a copy of which may be obtained on request. As part of the policy of continuous product improvement Vent-Axia reserves the right to alter specifications without notice.

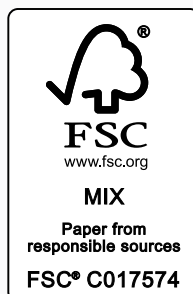


Download our Knowledge Hub app - Your new pocket expert.

Search, View, Share - It's that easy!



Made in Britain



0723